

Ludy Benches

Steel Bench 

Invest in maximizing
your growing space

Adaptable to your needs

- Strong, durable construction with tops supported every 18 or 24 inches
- Unlimited custom lengths and choice of standard or custom widths
- Manufactured to each grower's specifications
- Options available to accommodate your bench needs.



Ludy benches offer a variety of options that will optimize your greenhouse space and increase your productivity. Designed for strength and durability, galvanized steel tube is used for all framing and support to ensure many years of service for your investment. Stainless steel bolts provide increased strength to the bench as a unit and make assembly easier.

Growing and work surface options are galvanized expanded metal, aluminum

expanded metal, raised or flattened, galvanized wire mesh and vinyl coated wire mesh.

Bench tops can be made to order in any length desired and are supported every 18 inches or 24 inches. Ludy's top rails are extruded aluminum for sides and ends and are designed to have the option of a 1.25" lip

or a flush mounted top. The flush top is designed to capture the expanded metal so there are no sharp edges. Our plastic corner covers help prevent injury or damage to workers or equipment.

You can choose rolling benches in standard widths from 5, 5.5, 6 and 6.5 foot or stationary benches in widths ranging from 3-to 6.5-foot. Ludy benches are also convertible and can be changed from stationary to rolling in case your

needs change. Our roller stops can be adjusted to keep the tops stationary when placed to the outside of the roller tubes or to allow the bench top to roll when the stops are removed. Rolling tops also have an anti-tip bracket to keep the bench stable when pots are placed on only one side.

Ludy benches also offer three leg options. To set benches in concrete, round legs are provided. For freestanding benches to set on concrete, square tube legs will be provided along with leg levelers. The leg levelers can be adjusted up to 2 inches. Benches may also be anchored to concrete using angle clips that are provided at the customer's request.

Other features of Ludy's premium benches include round cross braces to support the roller tube and round stringers that help prevent dirt from accumulating on the bench structure. Caps are provided for leg tops and the ends of the stringers also to prevent dirt accumulation.

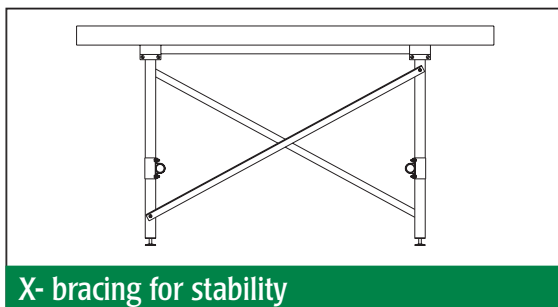
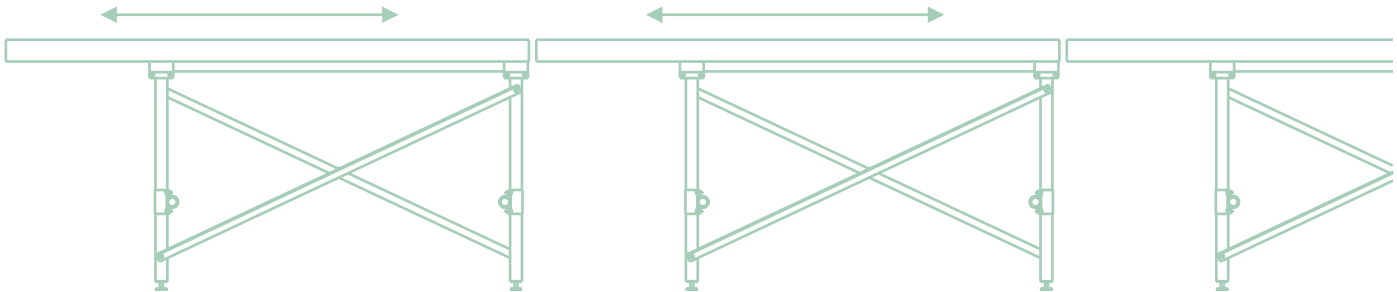
Each bench is manufactured to the exacting specifications growers know and trust. With an eye on quality and functionality, Ludy benches should be the discerning grower's choice.

With an eye on quality and functionality, Ludy benches should be the discerning grower's choice.

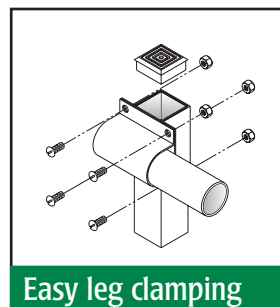
Specifications

Ludy Greenhouse Manufacturing Corporation
Box 141 ■ New Madison, Ohio 45346
Phone: 800 255 5839 ■ Fax: 937 996 8031 ■ www.ludy.com

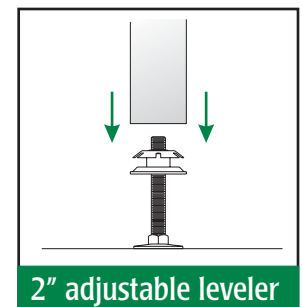
Ludy's rolling design brings benches together to maximize the growing space.



X-bracing for stability



Easy leg clamping



2" adjustable leveler

Steel Framing

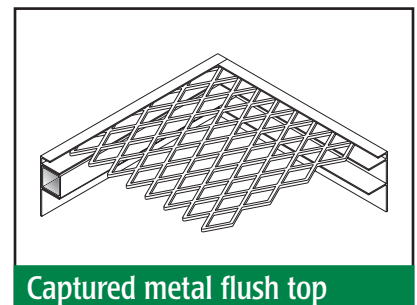
- All framing components are pre-galvanized rust-resistant steel
- Leg Options: 1.315" round set in concrete, 1.5" square with 2" adjustable leg levers or fixed to the floor
- Leg Cross Brace: 1.315" round pre-galvanized rust-resistant steel
- Bracing: leg X-bracing, anti-tip brackets for rolling tops included

Sizes

- Rolling top widths: 5, 5.5, 6 and 6.5 feet (1.52, 1.68, 1.83 and 2.01 m)
- Stationary top widths: 3, 3.5, 4, 4.5, 5, 5.5, 6 and 6.5 (0.91, 1.07, 1.22, 1.37, 1.52, 1.68, 1.83 and 2.01 m)
- Unlimited custom lengths
- Standard height; 31.5 inches

Top Options

- Bench top can be stationary or rolling to maximize your growing area
- Flush or 1.25" raised lip bench top rail options designed to capture wire or expanded metal to prevent snagging
- Optional surfaces: galvanized expanded metal, aluminum expanded metal, raised or flattened, galvanized wire mesh and vinyl coated wire mesh
- 1" square bench top supports every 18" or 24"



Captured metal flush top

Ludy Bench



© 6/2004 Ludy Greenhouse Manufacturing Corporation.
® Gatorshield is a registered trademark of Allied Tube & Conduit, Harvey IL.
This material is not intended to form a basis of a contract.
All specifications subject to change without notice.

ludy.com



Let Us Design Yours